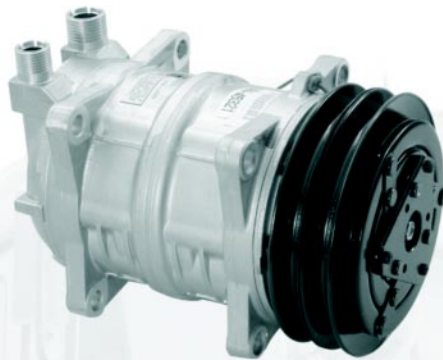


FRIGETTE BUS / TRANSPORT

Climate Solutions

Heavy Duty Compressors

TM-15



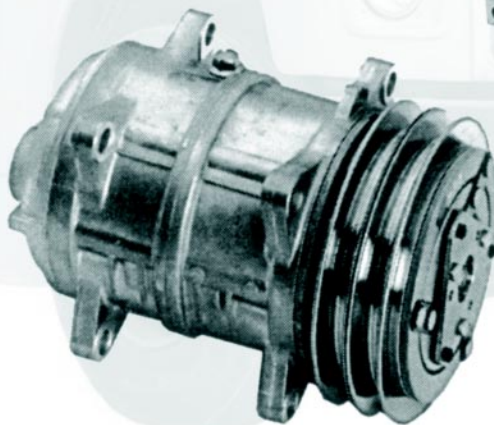
TM-21



TM-16



TM-31



Many types of compressors to meet your application needs.


Frigette

Bus / Transport Climate Systems

COMPRESSORS

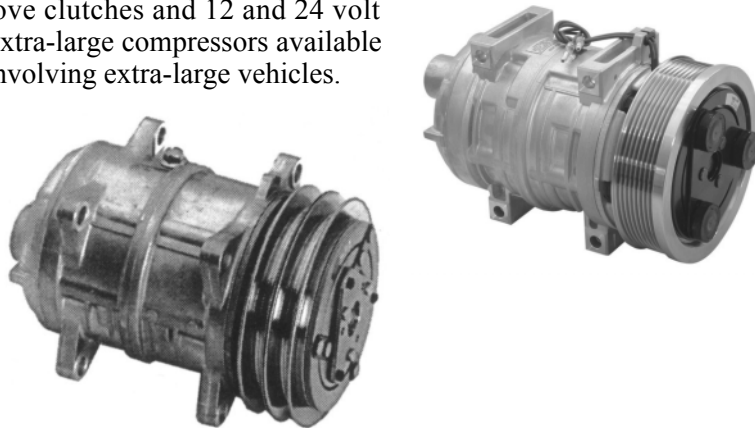
High Performance, Heavy Duty Compressors

The heart of every air conditioning system is the compressor. The compressor sets refrigerant in motion and is an essential element in determining the success of any bus A/C installation. Frigette offers only the best compressors for your school buses. Each compressor must have demonstrated years of trouble-free service before Frigette considers them for bus applications; Frigette's many years as a leading supplier to the truck, motor-home, automotive, and military vehicle industries provides unique insight into the attributes of the components that it provides. The following information provides generalized data for the many compressors thru Frigette:

Medium Size Compressors - Compressors in the 150cc / 160cc (piston displacement) range of sizes are suitable for single evaporator installations. These compressors are available in a large variety of configurations - just consider some of the options: Vertical fittings vs horizontal fittings, two groove clutches vs poly-V clutches, single rotation clutches vs dual rotation clutches, direct mount vs ear-mounted compressors, 12 volt clutches vs 24 volt clutches. Frigette has available compressor mounting kits for several hundred different engine configurations.



Large Compressors - Compressors in the 210cc / 310cc (piston displacement) range are recommended for applications involving two evaporators in use with a single condenser. These compressors are available in a wide variety of configurations such as poly-V and A-groove clutches and 12 and 24 volt clutches. Frigette also has extra-large compressors available for very special situations involving extra-large vehicles.



No component (evaporator, condenser, compressor) in an A/C installation can perform any better than the least-rated component. It is essential to match all of the components when selecting compressors. Compressor capacity is often overlooked; it is false to claim system capacity based on advertised evaporator rating when the compressor cannot deliver equal performance. Call on Frigette's technical advisors when making these choices.



1200 West Risinger Road, Fort Worth, Texas 76134

Phone: (800) 545-6341 Fax: (817) 568-1287

Email: corp@scsfrigette.com Web Site: www.scsfrigette.com